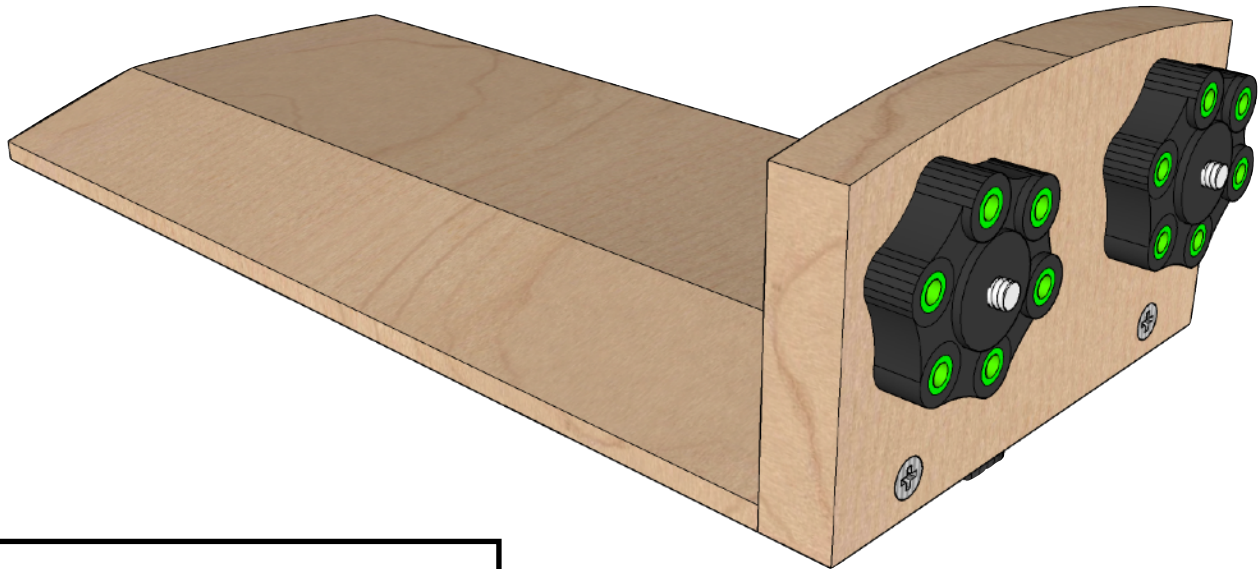
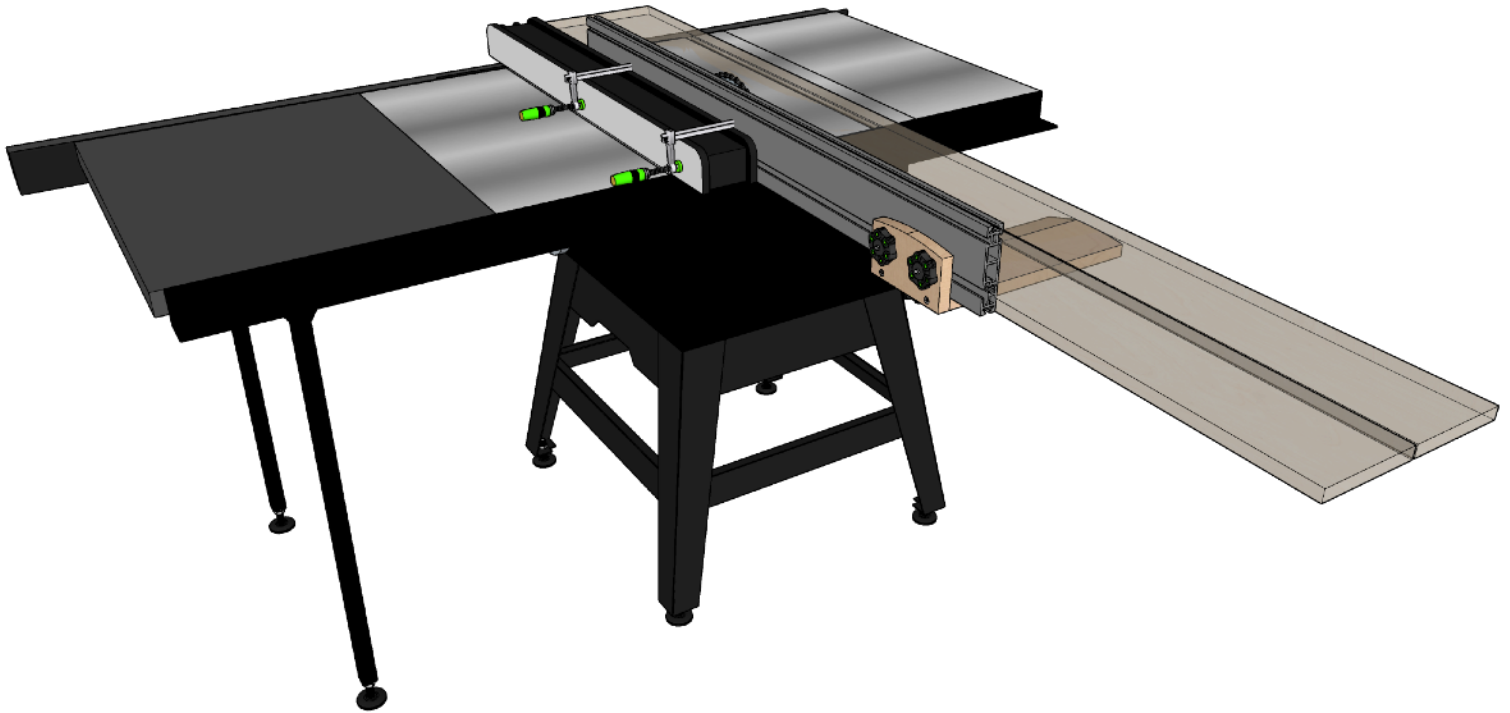


3 Accessories to Improve the Bow XTENDER Fence System



BOW XTENDER Fence Extended Feed Support

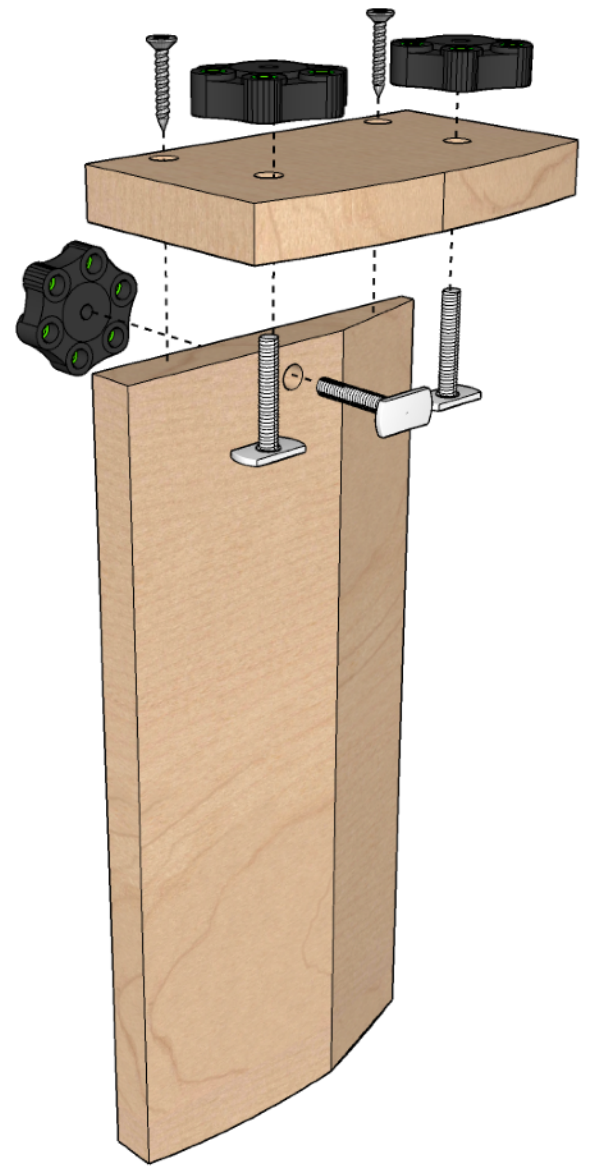
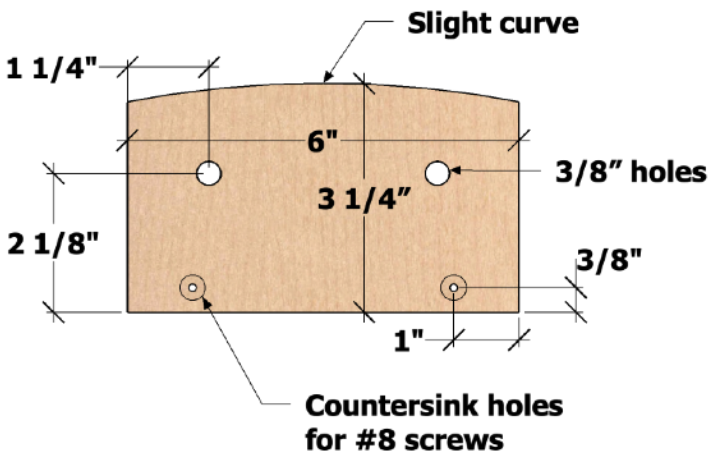
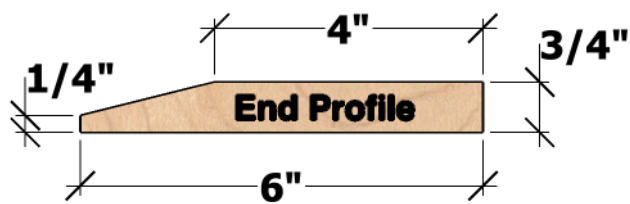
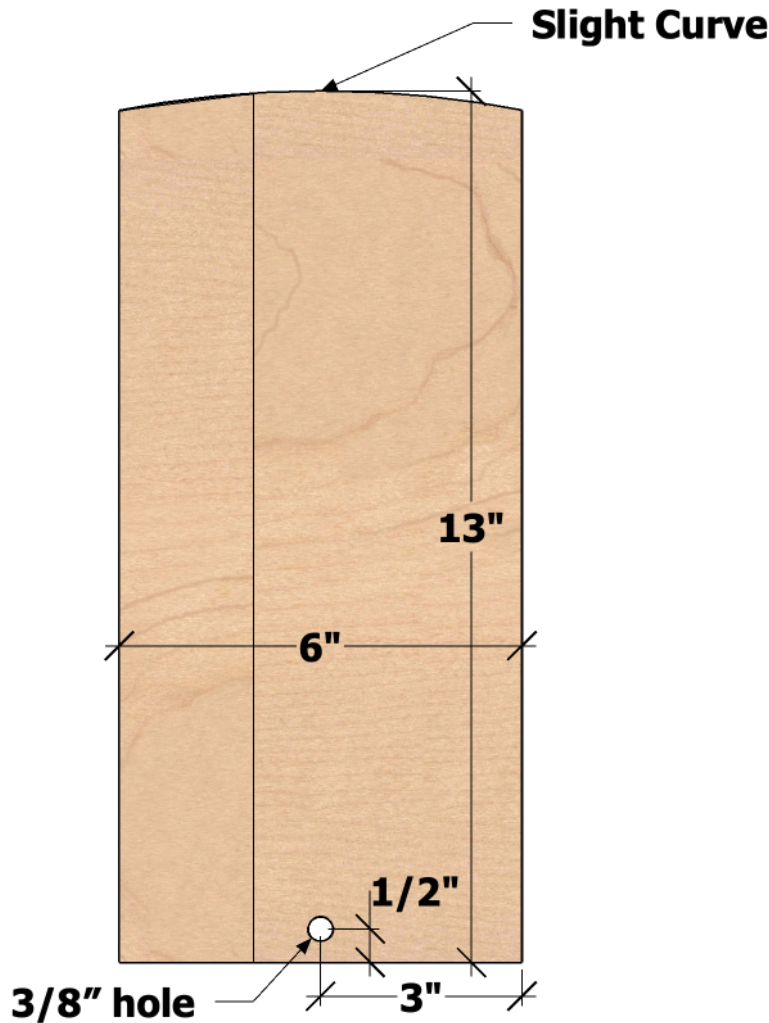


Hardware Needed:

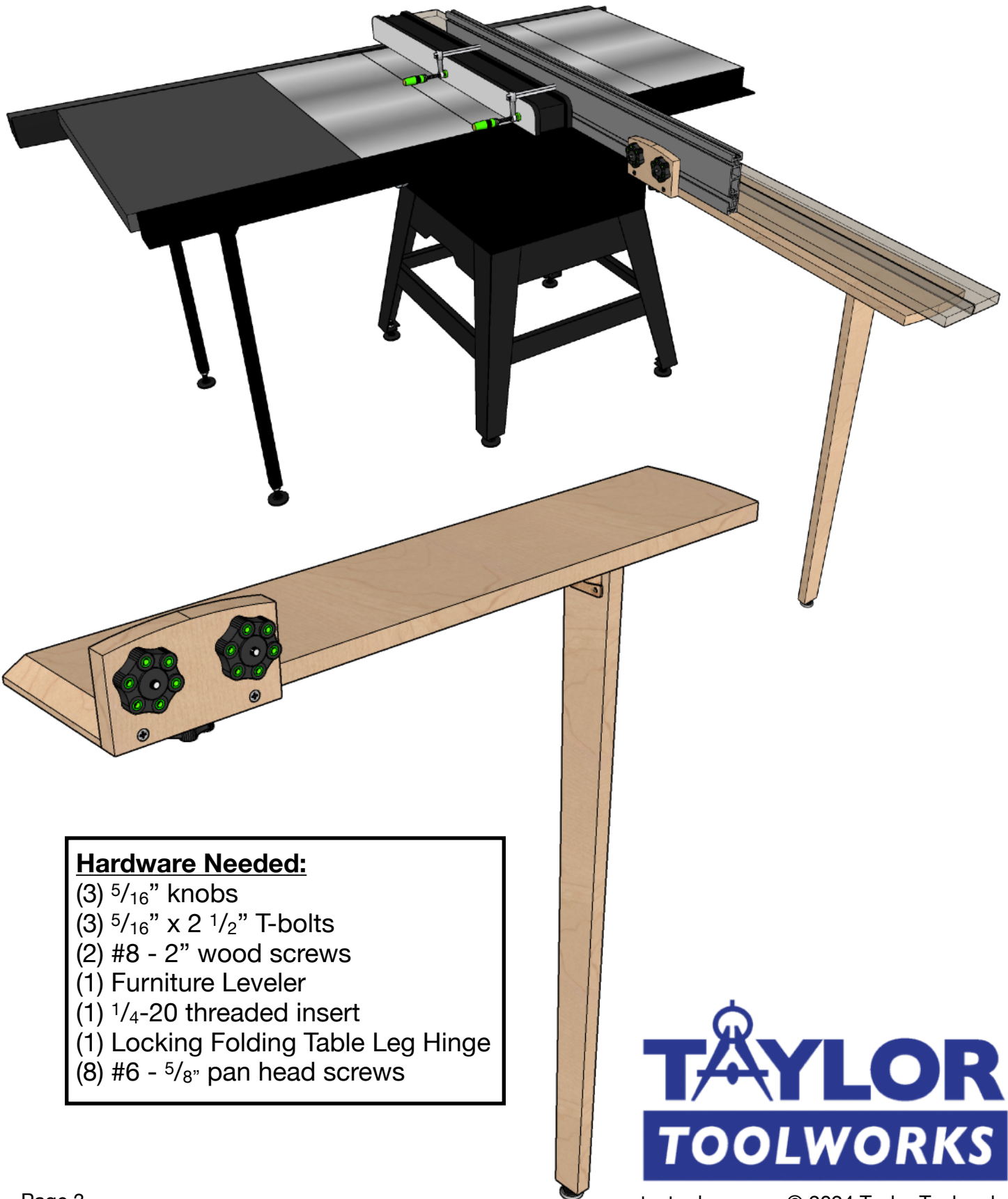
- (3) $\frac{5}{16}$ " knobs
- (3) $\frac{5}{16}$ " x 2 $\frac{1}{2}$ " T-bolts
- (2) #8 - 2" wood screws



BOW XTENDER Fence Extended Feed Support



BOW XTENDER Fence Elongated Feed Support

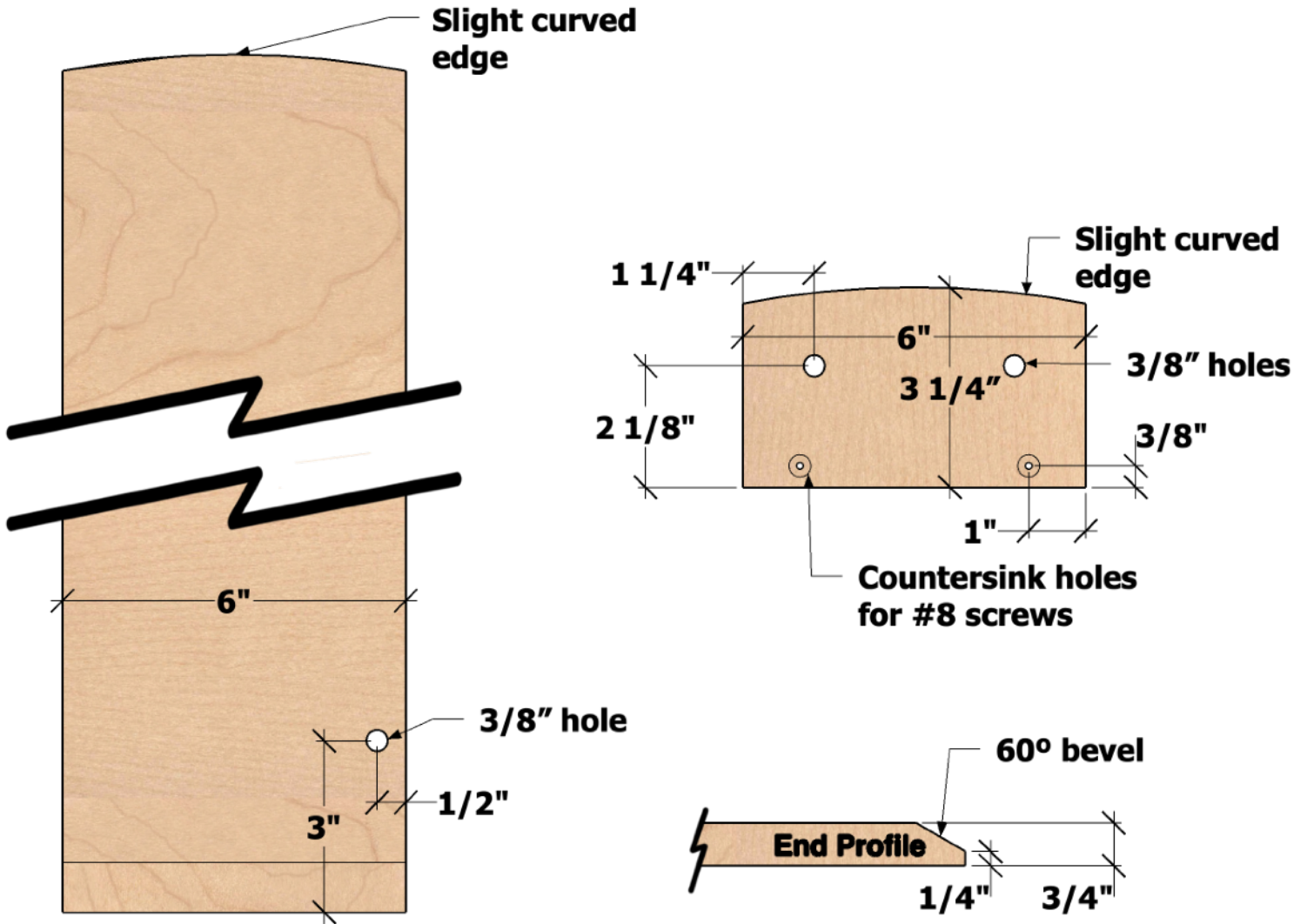


Hardware Needed:

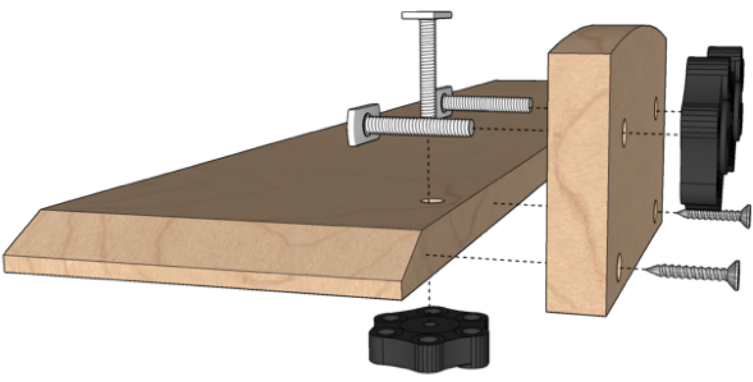
- (3) $\frac{5}{16}$ " knobs
- (3) $\frac{5}{16}$ " x 2 $\frac{1}{2}$ " T-bolts
- (2) #8 - 2" wood screws
- (1) Furniture Leveler
- (1) $\frac{1}{4}$ -20 threaded insert
- (1) Locking Folding Table Leg Hinge
- (8) #6 - $\frac{5}{8}$ " pan head screws



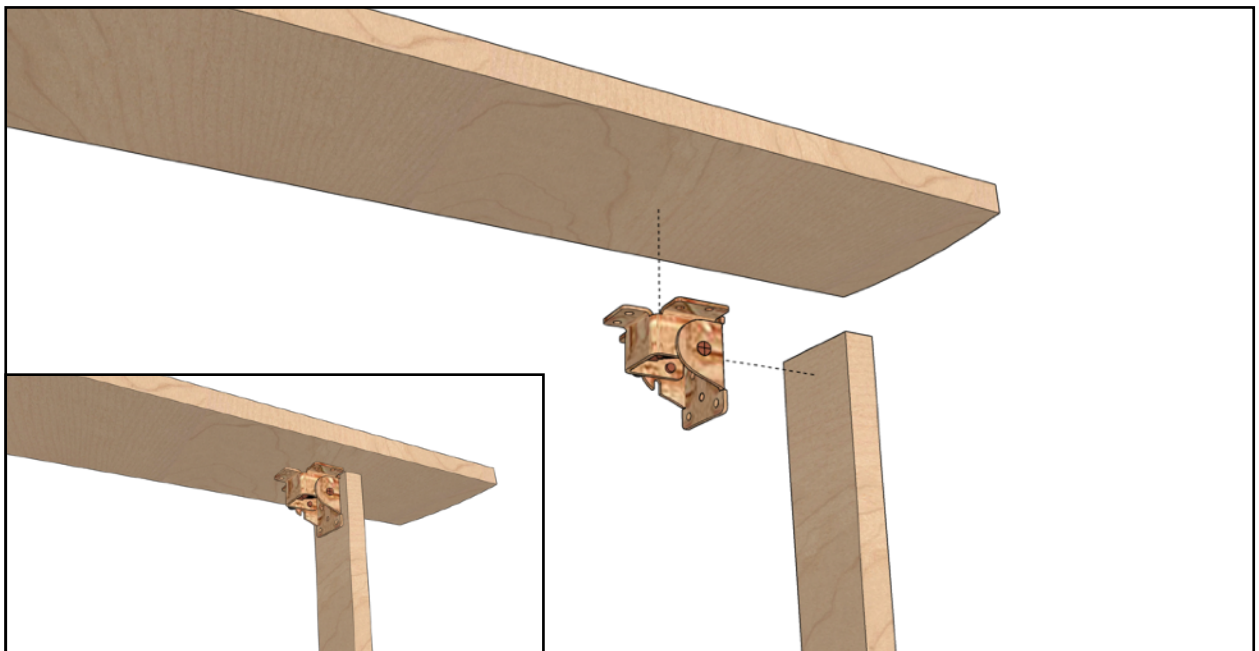
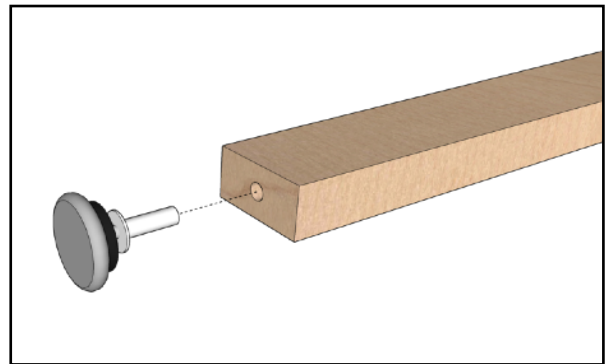
BOW XTENDER Fence Elongated Feed Support



You decide the length that fits your saw and use.

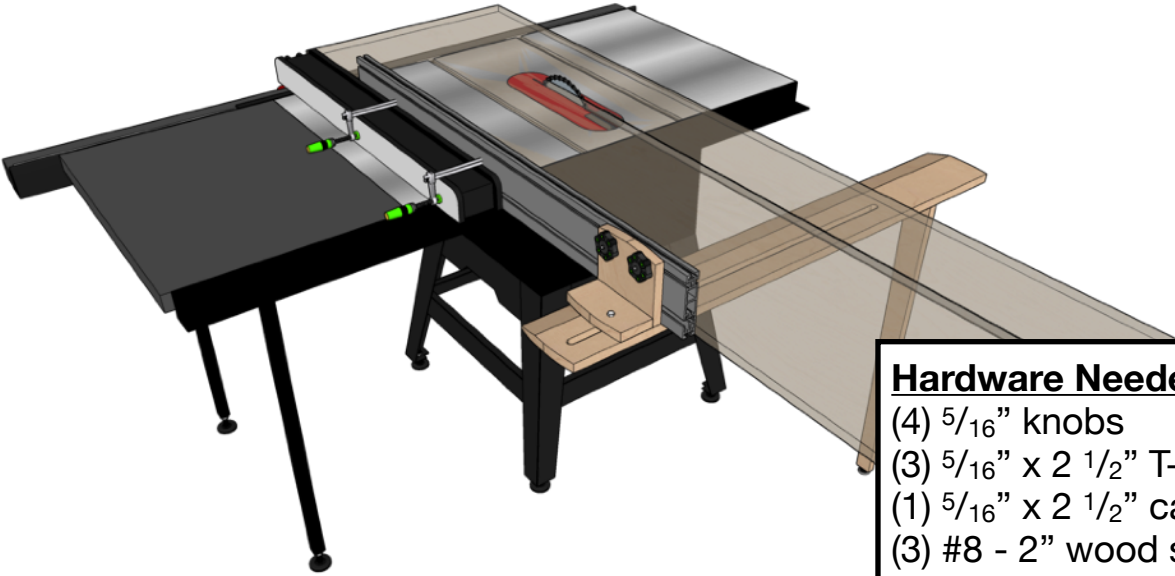


BOW XTENDER Fence Elongated Feed Support



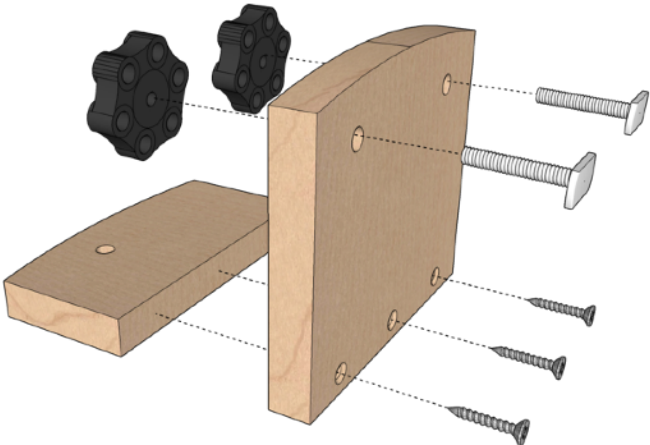
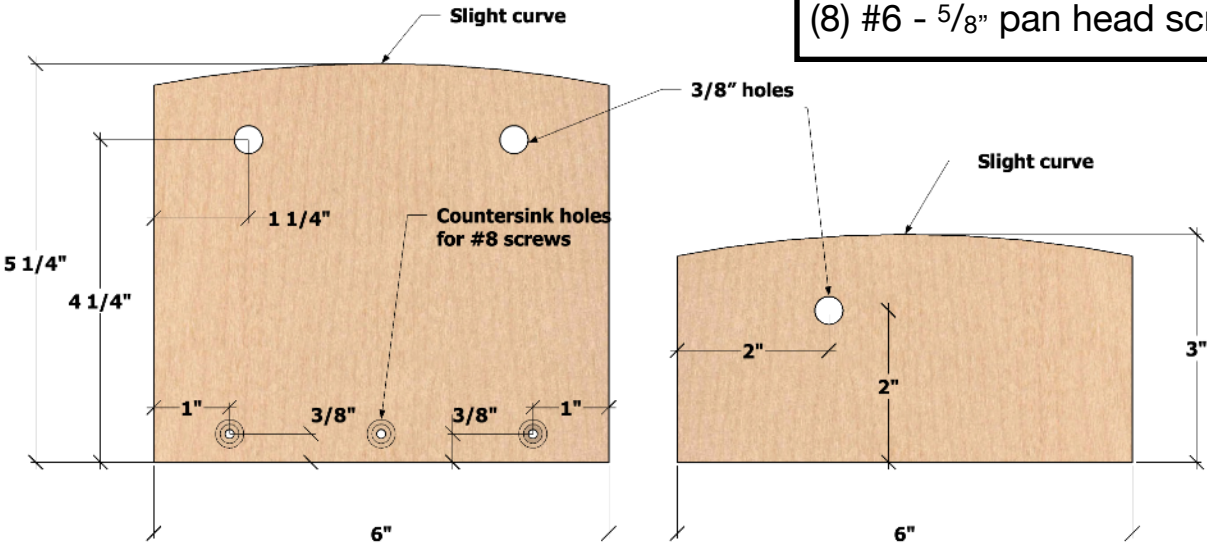
BOW XTENDER Fence

Deluxe Adjustable Feed Support



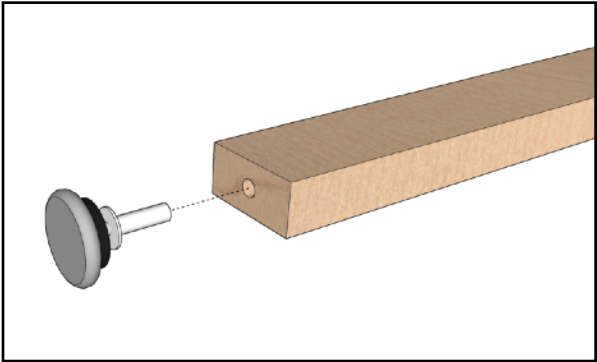
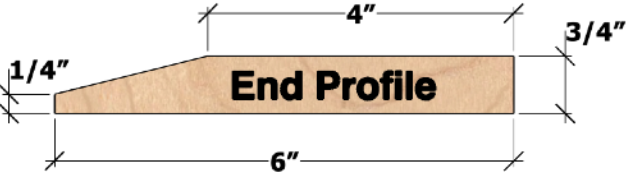
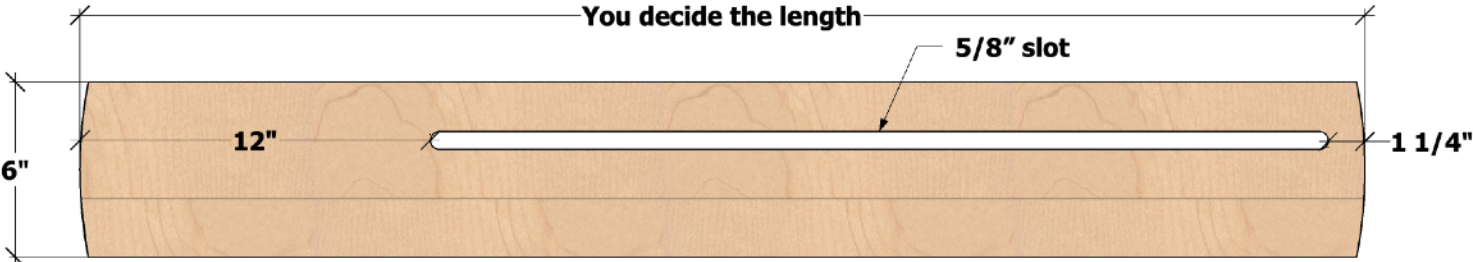
Hardware Needed:

- (4) 5/16" knobs
- (3) 5/16" x 2 1/2" T-bolts
- (1) 5/16" x 2 1/2" carriage bolt
- (3) #8 - 2" wood screws
- (1) Furniture Leveler
- (1) 1/4-20 threaded insert
- (1) Locking Folding Table Leg Hinge
- (8) #6 - 5/8" pan head screws

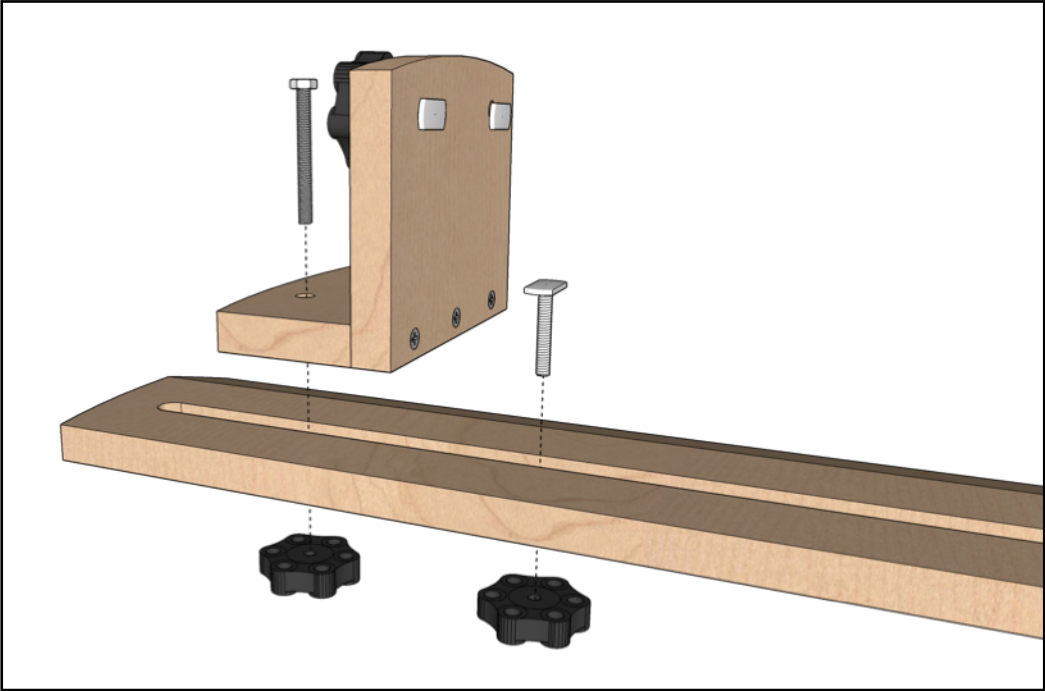


BOW XTENDER Fence Deluxe Adjustable Feed Support

You decide the length that fits your saw and use. Slight curve at both ends.



BOW XTENDER Fence Deluxe Adjustable Feed Support



These plans were created for Taylor Toolworks by:



[Instagram](#)



[Facebook](#)

plans@h2woodshop.com